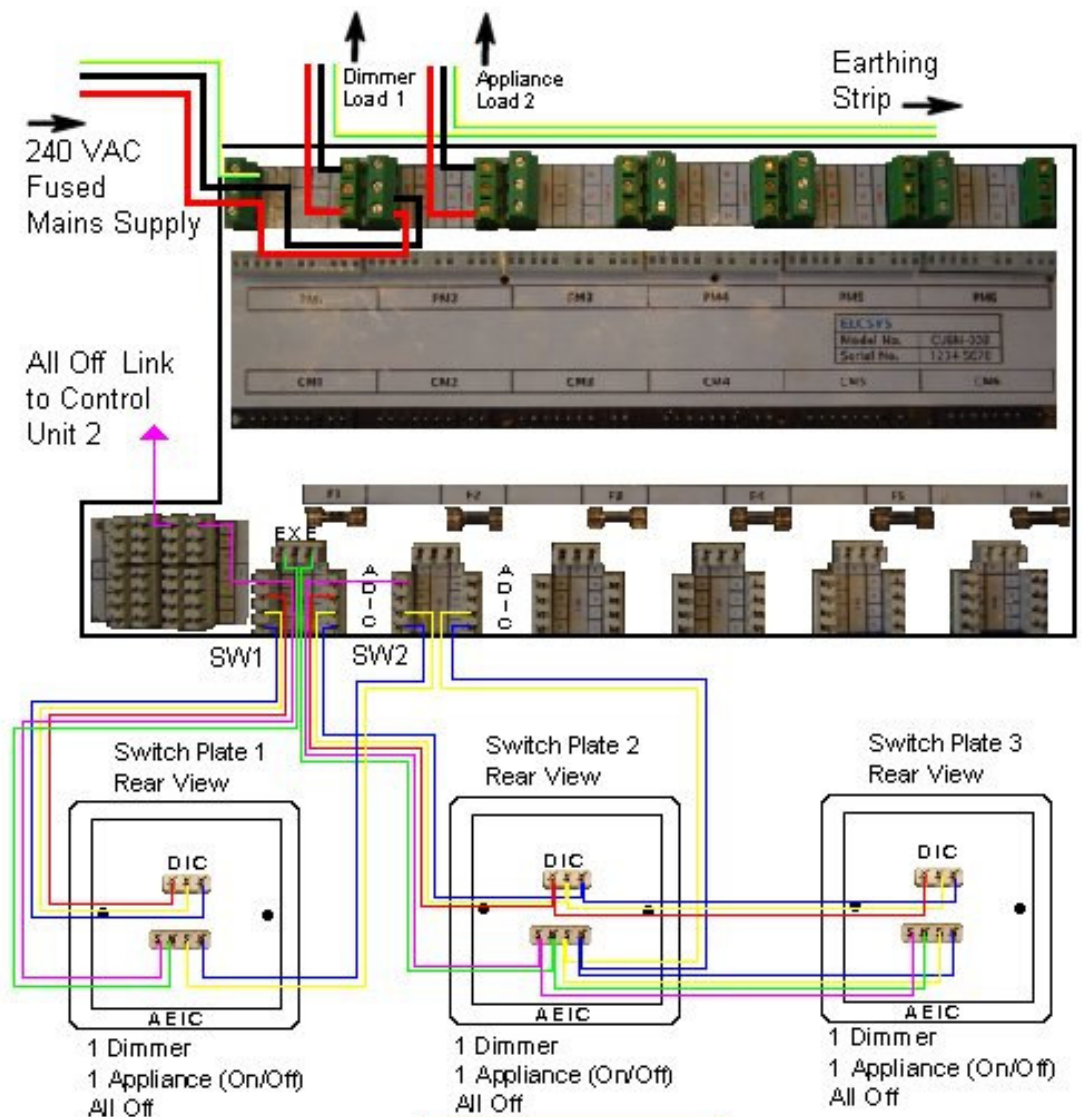


Control Unit Wiring Diagram

The following diagram demonstrates how the Control Unit could be wired for a Dimmer and an Appliance before the Control and Power modules have been inserted. Each dimmer or appliance load can be wired to have its own separate mains supply. This diagram also demonstrates how three switch plates could be wired to operate the same Dimmer and Appliance. A maximum of four switch plates can be wired directly to the Control Unit otherwise any number of plates can be wired together. The diagram also shows how the 'All Off' control can be wired to other Control Units via the Jumper block.



Switch Plate
Front View
(SP-BC-1D-1C-A)

